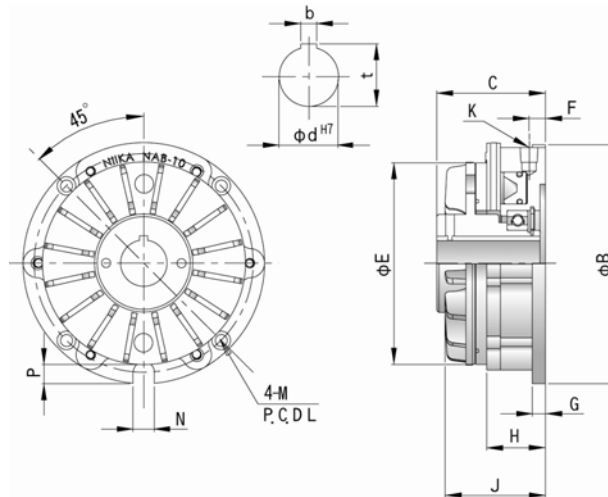


Size	NAB 5S	NAB 10S
Static Torque kgm	5	10
Bore Dia $\phi d^{H7}$	25	25 35
Keyway $b \times t$	6x27.8	6x27.8 10x38.3
Unit Weight kg	4	7.5

NAB 5S-10S



Size	B	C	E	F	G	H	J	K	L	M	N	P
NAB 5S	150	65	117	12	7	34.5	64	PT1/4	135	7	10	16.5
NAB 10S	182	82	153	12	10	44	77	PT1/4	165	9	16	17

Mounting Example

